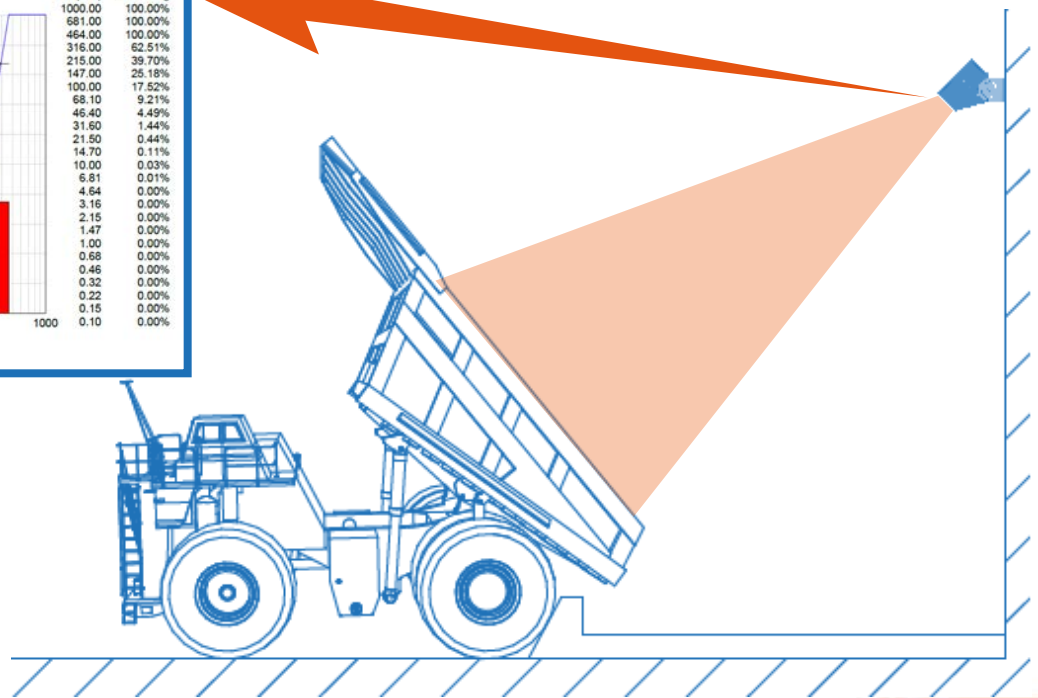
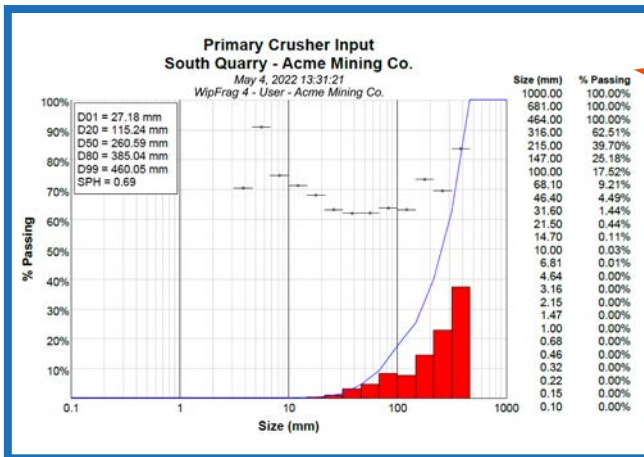




Reflex™ 6 Vehicle Analysis System

Because you can't manage
what you can't measure!

Measure particle size, shape and colour on
vehicles in real time without disruption



Reflex™ 6 Vehicle Analysis System

Rugged & Robust Design

Built especially for extreme industrial environments, Reflex™ is completely autonomous with a fixed focus lens and a universal turret frame for mounting.

Flexible Model Options

Choose from two different models:
Basic for maximum size or colour differentiation.
Standard for particle size, shape & colour data.

New & Improved Edge Detection

Our renowned edge detection algorithm is now more powerful than ever — continuously being improved for increasingly accurate analysis results.

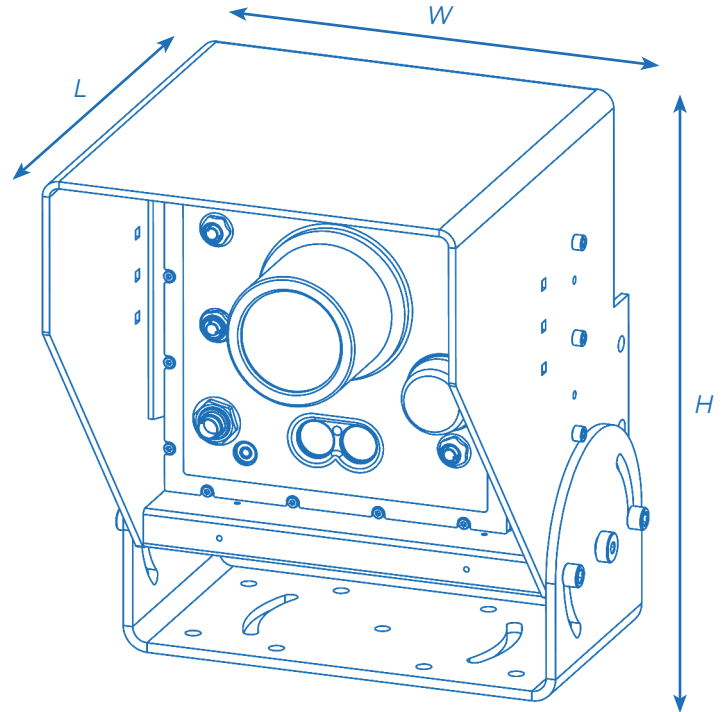
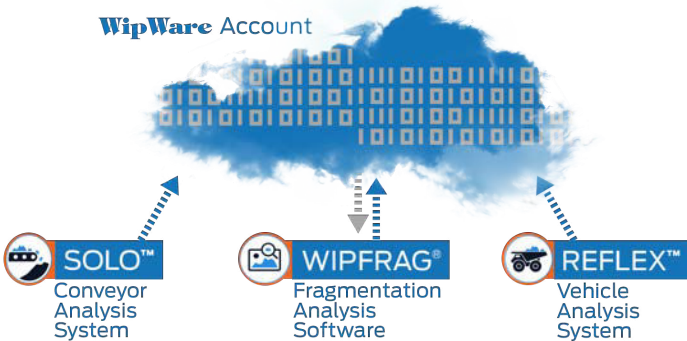
Rapid Real Time Results

Receive real-time data and alerts direct to your process control system and generate customized actionable reports with ease

WipWare Account Integration

Synchronize Reflex™ analysis results and trends with your own free WipWare Account, and access your information from anywhere.

WipWare Account



Universal turret frame allows for unique mounting options

MECHANICAL SPECIFICATIONS

Material	Aluminum / Stainless Steel
Dimensions	241 mm (L) x 216 mm (W) x 282 mm (H)
Weight	10 kg

ELECTRICAL SPECIFICATIONS

Input Voltage	100-240VAC @ 50/60 Hz
Power Consumption	44 W typical / 360 W max
Certifications	ESA

ENVIRONMENTAL SPECIFICATIONS

Ingress Protection	NEMA 4 / IP66
Operating Temperature	-40°C to +80°C
Shock / Vibration	40 G / 2 G rms @ 5-500 Hz

DATA SPECIFICATIONS

Networking	Ethernet
Communications	Modbus TCP / OPC UA

To find out more about our products visit wipware.com

WipWare
PHOTOANALYSIS SYSTEMS

WipWare Incorporated
 North Bay, Ontario, Canada.
 1-705-472-2664